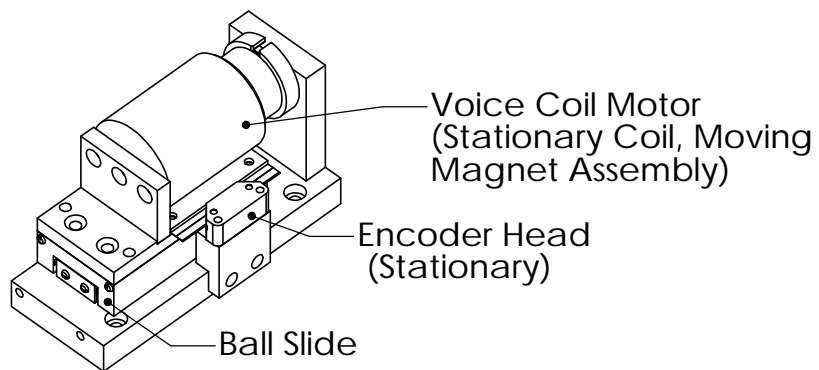
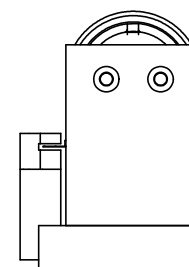
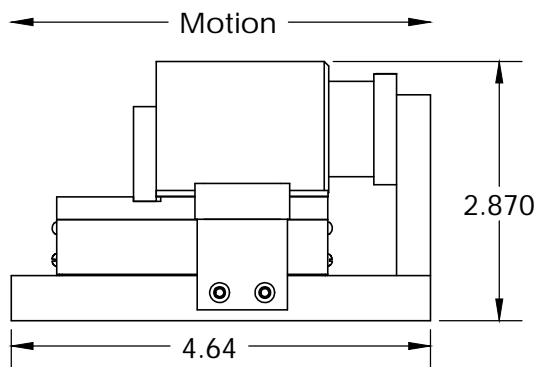
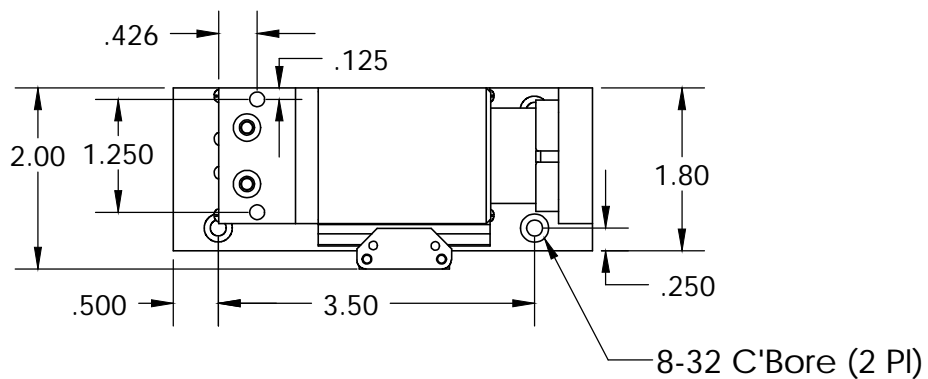


These drawings and specifications are the property of H2W Technologies, Inc. They are issued in confidence and shall not be reproduced, copied, or used without written permission from H2W Technologies, Inc. (www.h2wtech.com)



H2W Technologies, Inc.
 26470 Ruether Ave #102 Santa Clarita, CA 91350 USA
 Tel: (661) 251-2081 Fax: (661) 251-2067
 www.h2wtech.com

**Voice Coil Positioning Stage
 Model #VCS10-023-BS-12**

UNLESS SPECIFIED OTHERWISE:
 All dimensions are in inches
 Standard Tolerances are as follows:
 .XXX ±.005 ANGLES ±1°
 .XX ±.010 FILLETS .010
 X ±.020 CORNERS .010
 Remove All Burrs and Sharp Edges

| MATERIAL | | | | TITLE | | | |
|----------|---------|----------|---------|----------------|----------|--------|--|
| FINISH | | | | DRAWN | | | |
| DRAWN | DATE | APPROVED | DATE | DWG # | REV | SHEET | |
| OOG | 2-10-08 | MPW | 2-10-08 | 30-0430 | A | 1 of 2 | |

| VOICE COIL POSITIONING STAGE SPECIFICATIONS | | |
|--|---------------------|-------------------|
| Motor P/N | NCC10-15-023-1X | |
| Stroke | 1.00" | 25.4 mm |
| Encoder Resolution | 12 micron | |
| Bearing Type | Ball Slide | |
| Moving Mass | 0.20 lbs | 90 grams |
| Total Mass | 1.08 lbs | 488 grams |
| Resistance @ 20C | 7.5 ohms | |
| Inductance @ 20C | 3.3 mH | |
| Electrical Time Constant | 0.44 msec | |
| Motor Constant | 0.85 LBS/SQRT(Watt) | 3.78 N/SQRT(Watt) |
| Force Constant | 2.3 LBS/Amp | 10.2 N/Amp |
| Back EMF | 0.26 V/ips | 10.2 V/m/sec |
| Continuous Force | 2.3 LBS | 10.2 N |
| Max Power @ 100% Duty | 7 Watts | |
| Peak Force | 6.9 LBS | 30.7 N |
| Max Power @ 10% Duty | 66 Watts | |

| | | |
|-------|--|-----------------|
| TITLE | Voice Coil Positioning Stage Model #VCS10-023-BS-12 | |
| DWG # | 30-0430 | REV A |
| | | SHEET 2 of 2 |